



DATA SUBMITTAL

Floor Mounted Bottom Connection Hydro-Plus ZHP-BC Well Tanks

Models: ZHP202BC – ZHP351BC Date: 12/2020

Job Name: _____	Submitted By: _____	Date: _____
Job Location: _____	Approved By: _____	Date: _____
_____	Order No.: _____	Date: _____
Engineer: _____	Notes: _____	_____
Contractor: _____	_____	_____
Sales Rep.: _____	_____	_____

Description

Zilmet floor mounted bottom connection Hydro Plus BC Well Tanks come with a factory precharge of 38 PSIG. The precharge is field adjustable. These tanks have a maximum working pressure of 150 PSIG, a stainless steel side connection, a butyl diaphragm, and an epoxy powder-coated exterior paint in blue color. The stand is durable copolymer for corrosion resistance. The system connection height meets industry standard. NSF61 certified.

Construction:

Shell: Carbon Steel
 Connection: Stainless Steel
 Factory Precharge: 38 PSIG
 Membrane: Butyl
 Base: Copolymer Polypropylene
 Color: Blue

Performance Specifications

Maximum Design Temperature: 210°F Maximum Design Pressure: 150 PSIG

Model Number	Volume (gal)	UPC Code	Tagging Information	Quantity
ZHP202BC	21.1	5052586		
ZHP202BC-BV *	21.1	5054894		
ZHP203BC	27.7	5054900		
ZHP34BC	34.1	5055785		
ZHP204BC	39.6	5052593		
ZHP250BC	54.7	5055594		
ZHP302BC	79.3	5055952		
ZHP351CB	119.0	5055969		

*Vertical tank welded pump bracket

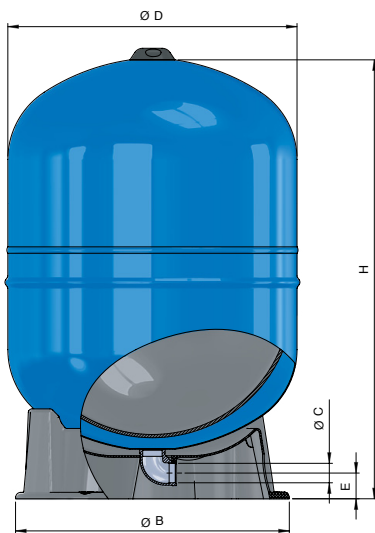


DATA SUBMITTAL

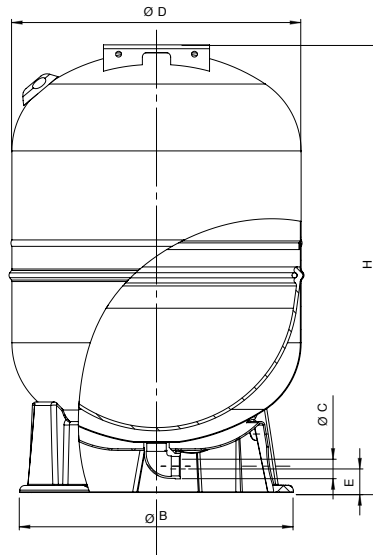
Floor Mounted Bottom Connection Hydro-Plus ZHP Well Tanks

Models: ZHP202BC – ZHP351BC

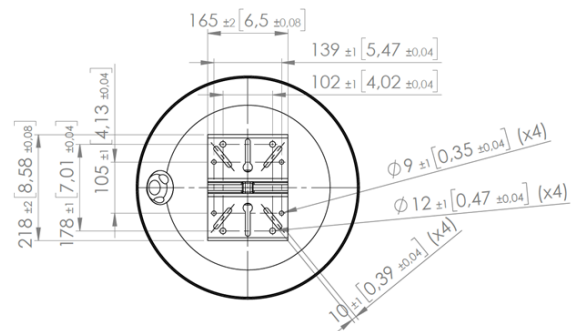
Date: 12/2020



ZHP202BC-351BC



ZHP202BVBC



ZHP202BVBC
TOP VIEW
DIMENSIONS

<i>Model</i>	<i>Capacity</i>	<i>Diameter</i>	<i>Height</i>	<i>Base Diameter</i>	<i>Connection Height</i>	<i>Connection Size</i>	<i>Precharge</i>
	<i>gallons</i>	<i>inches (D)</i>	<i>inches (H)</i>	<i>inches (B)</i>	<i>inches (E)</i>	<i>NPT (C)</i>	<i>psi</i>
ZHP202BC	21.1	17.7	26.9	16.8	1.6	1"	38
ZHP202BVBC *	21.1	17.7	27.9	16.8	1.6	1"	38
ZHP203BC	27.7	17.7	29.2	16.8	1.6	1 1/4"	38
ZHP34BC	34.1	19.7	33.9	16.8	1.6	1 1/4"	38
ZHP204BC	39.6	19.7	38.3	16.8	1.6	1 1/4"	38
ZHP250BC	54.7	19.7	49.7	16.8	1.6	1 1/4"	38
ZHP302BC	79.3	24.8	46.9	16.8	2.1	1 1/4"	38
ZHP351BC	119.0	24.8	65.9	16.8	2.1	1 1/4"	38

*Vertical tank welded pump bracket